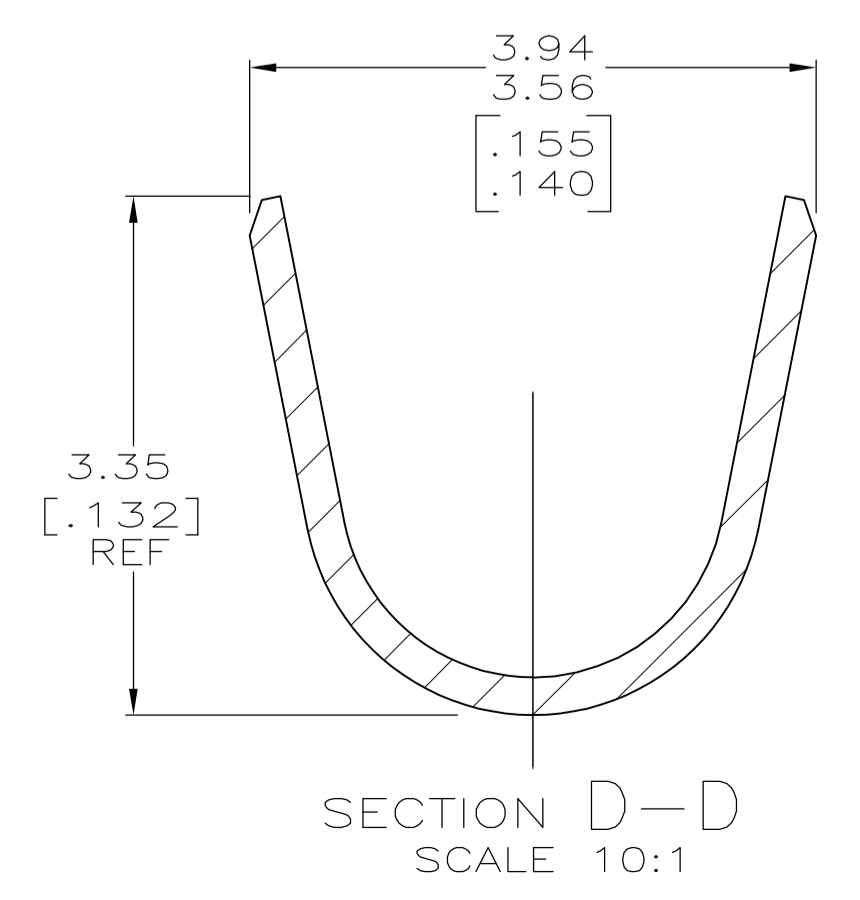
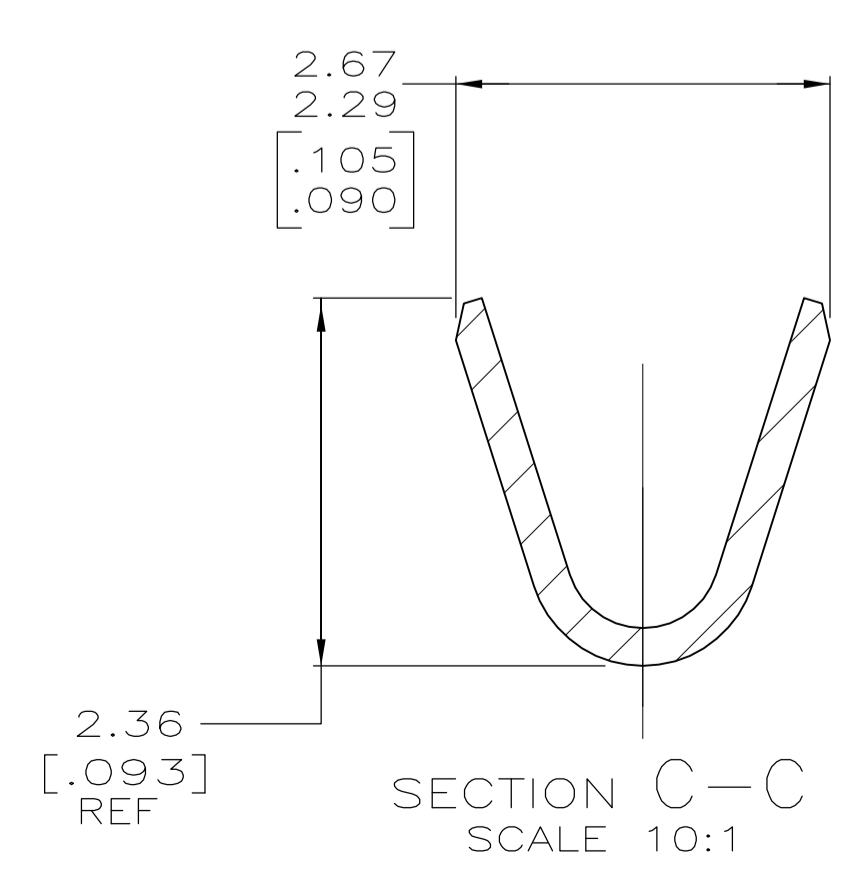
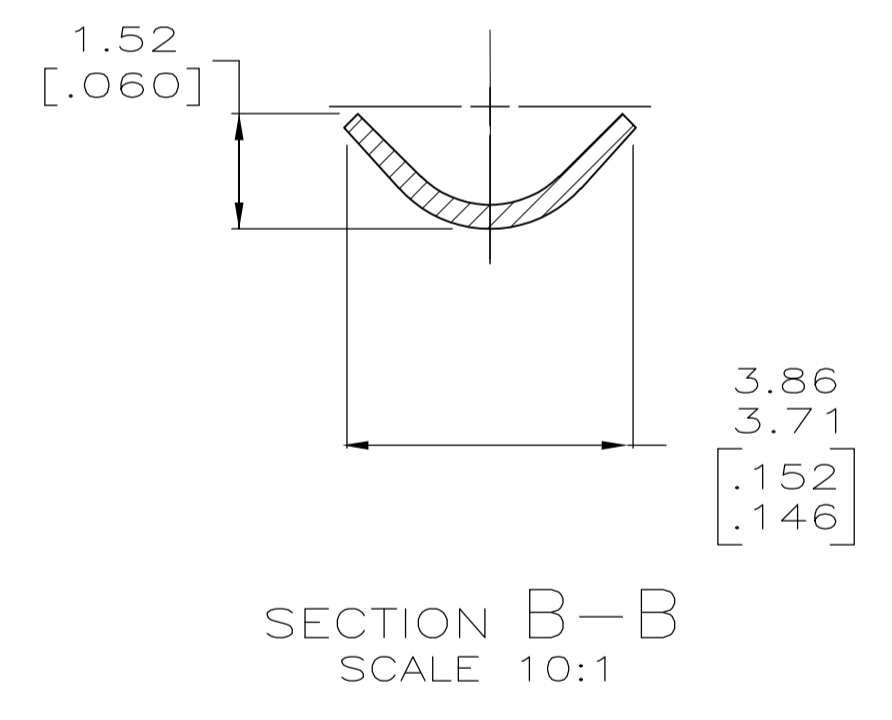
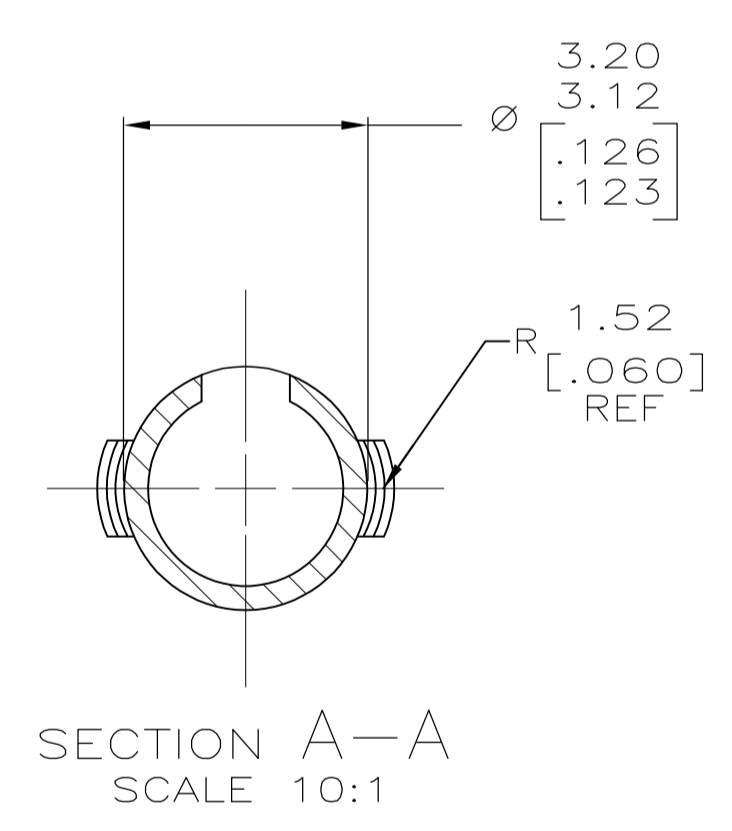
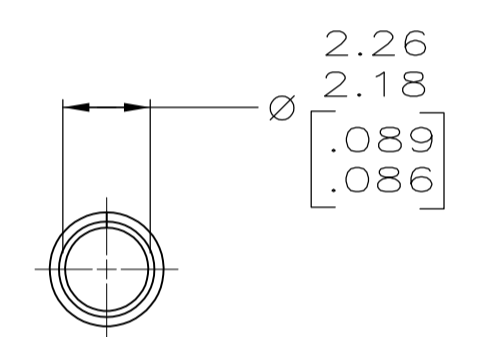
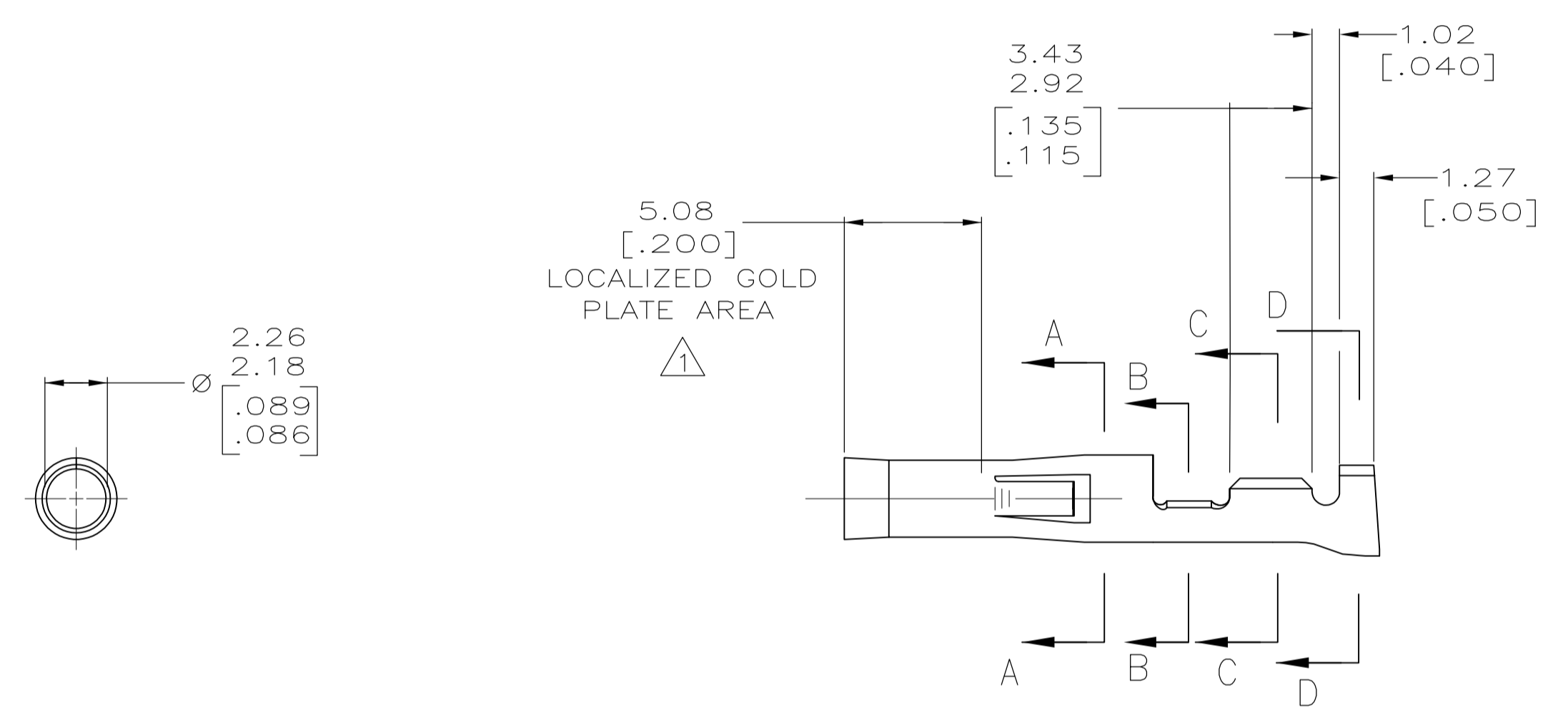
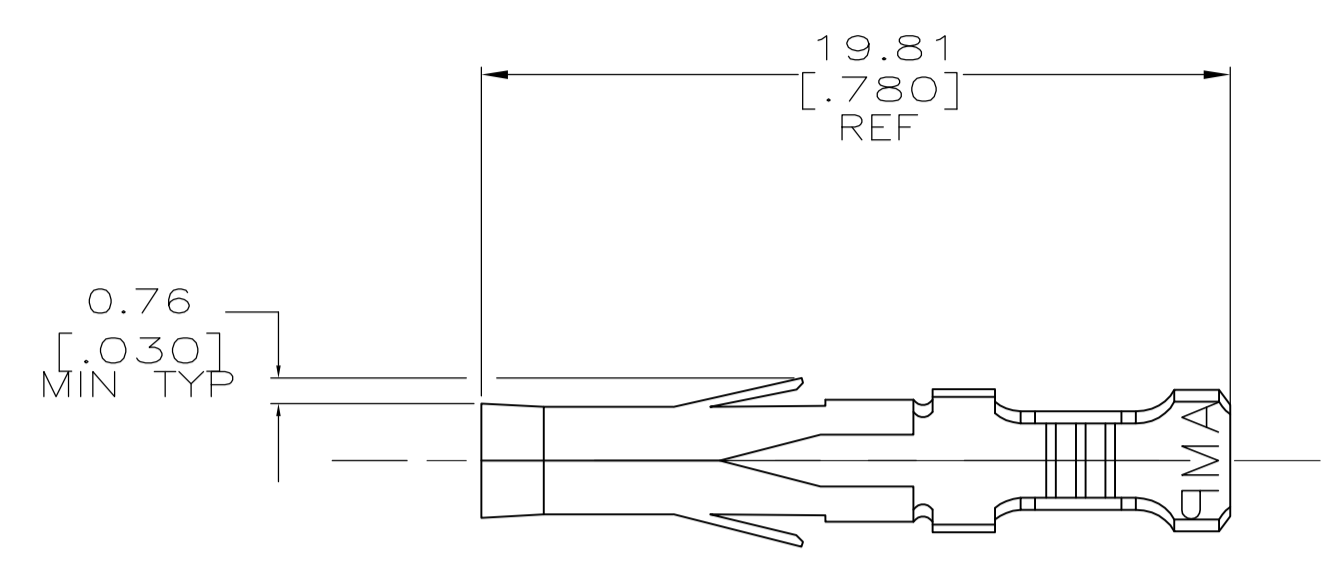


LOC		DIST		REVISIONS			
P	LTR	DESCRIPTION	DATE	DWN	APVD		
G1		REVISED PER ECO-11-005027	11MAR11	RK	HMR		

- ① 0.00127 [.000050] MIN GOLD IN LOCALIZED GOLD PLATE AREA OVER 0.00127 [.000050] MIN NICKEL.
- ② 0.00127 [.000050] NICKEL PLATE ON ENTIRE CONTACT WITH 0.000762 [.000030] GOLD PLATE ON INSIDE OF RECEPTACLE AND GOLD FLASH ON REMAINDER OF CONTACT.
- 3 WIRE RANGE: 0.3 - 0.84mm² (24-18 AWG).
- 4 INSULATION RANGE: 2.79 [.110] MAX. DIA.
- 5 DIMENSIONS IN BRACKETS ARE IN INCHES.



METRIC

②	0.25 [.010] BRASS	770146-5
①	0.25 [.010] BRASS	770146-3
PRE-TIN	0.25 [.010] BRASS	770146-1
FINISH	MATERIAL	PART NO

THIS DRAWING IS A CONTROLLED DOCUMENT.

DIMENSIONS: mm [INCHES]	TOLERANCES UNLESS OTHERWISE SPECIFIED:	DWN: K. WHITAKER 19JUN2007	TE Connectivity
0. PLC ± -	1. PLC ± -	CHK: C. CASH 19JUN2007	
2. PLC ± 0.13 [.005]	3. PLC ± -	APPD: C. CASH 19JUN2007	NAME: SOCKET, .093, LOOSE PIECE, COMMERCIAL PIN AND SOCKET
4. PLC ANGLES ± -	FINISH: SEE TABLE	APPLICATION SPEC: -	SIZE: A1
MATERIAL: SEE TABLE	WEIGHT: -	RESTRICTED TO: -	SCALE: 5:1
CUSTOMER DRAWING		DATE: 11MAR11	SHEET: 1 OF 1